


THIS DRAWING IS UNPUBLISHED. RELEASED FOR PUBLICATION ,19 .
 © COPYRIGHT 19 BY AMP INCORPORATED. ALL INTERNATIONAL RIGHTS RESERVED.

LOC	DIST	P	F	ZONE	LTR	DESCRIPTION	DATE	APPD
DW	00					P REVISED PER EC 0513-0486-03	15MAR04	JR

- ① HOUSING AND COVER- POLYESTER, BLACK, 94V-0.
- 2. CONNECTOR WILL TERMINATE .63 [1.025] CENTERLINE FLAT RIBBON CABLE, #30 AWG SOLID,PVC INSULATION.
- 3. DIMENSIONS SHOWN ARE MAXIMUM UNLESS OTHERWISE SPECIFIED.
- ④ REQUIRED FOR POLARIZATION OF RIBBON CABLE EDGE CONNECTOR TO P.C. BOARD.
- ⑤ CONNECTOR WILL ACCOMODATE PRINTED CIRCUIT BOARD THICKNESS OF 1.42-1.72 [1.056-.068].
- ⑥ 1-557089-1 THRU -16 ARE PACKAGED IN TUBES, THEY ARE THE SAME PRODUCT AS 787693-2, -4, -5, -3, -6, -1 RESPECTIVELY, WHICH ARE PACKAGED IN TRAYS.
- ⑦ TERMINALS-PHOSPHOR BRONZE WITH 0.76µm [1.000030] MINIMUM GOLD IN CONTACT AREA AND 3.81µm [1.000150] MINIMUM TIN-LEAD ON TERMINATING AREA, ALL OVER 1.27µm [1.000050] MINIMUM NICKEL.
- ⑧ TERMINALS-PHOSPHOR BRONZE WITH 0.76µm [1.000030] MINIMUM GOLD IN CONTACT AREA AND 3.81µm [1.000150] MINIMUM TIN ON TERMINATING AREA, ALL OVER 1.27µm [1.000050] MINIMUM NICKEL.

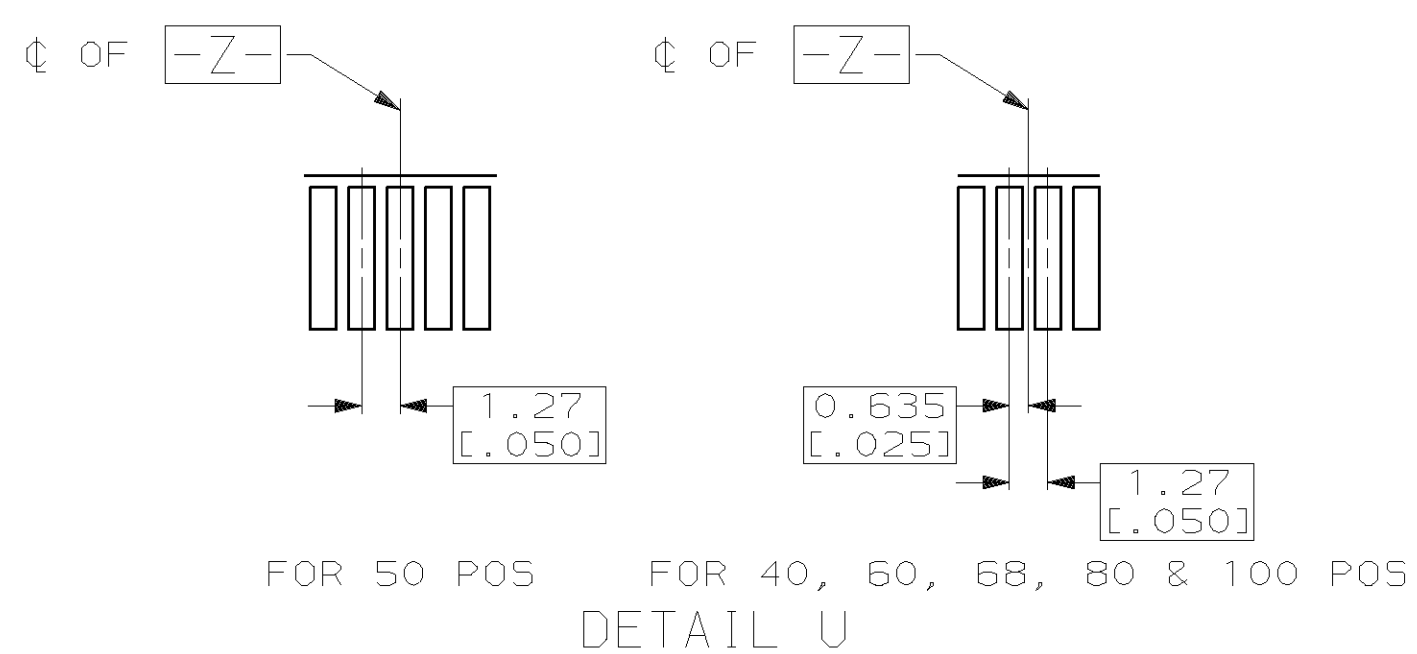
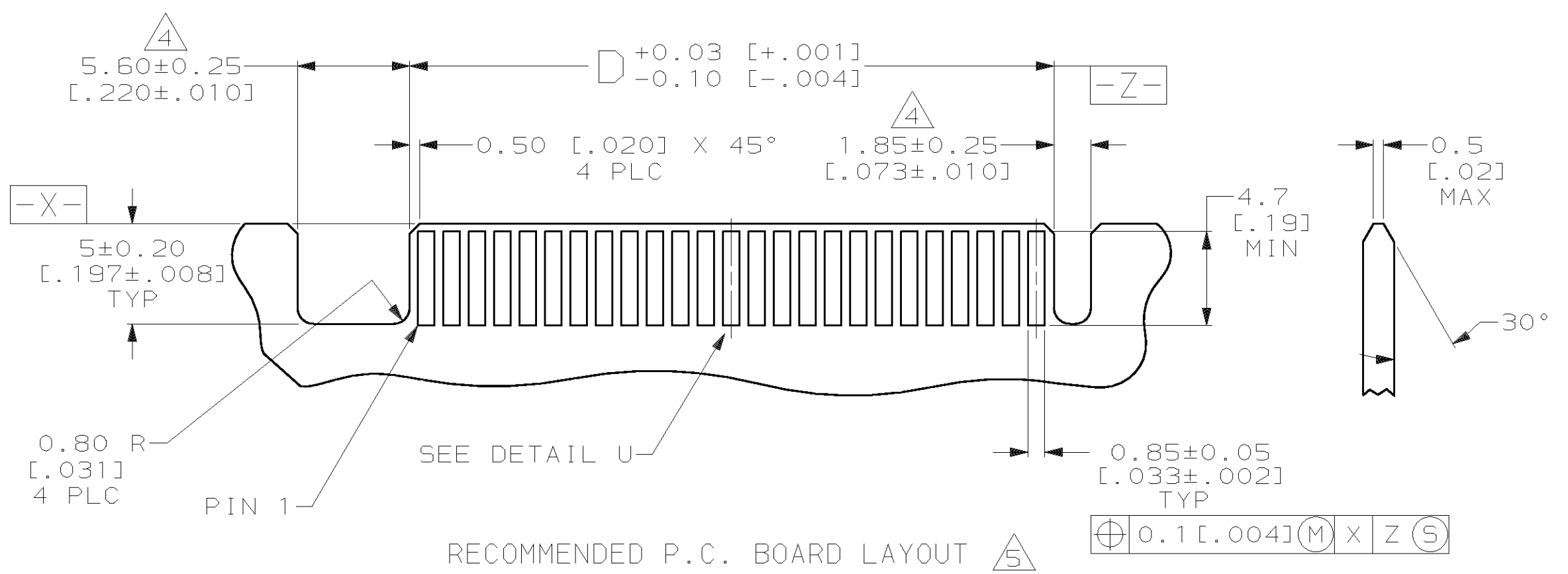
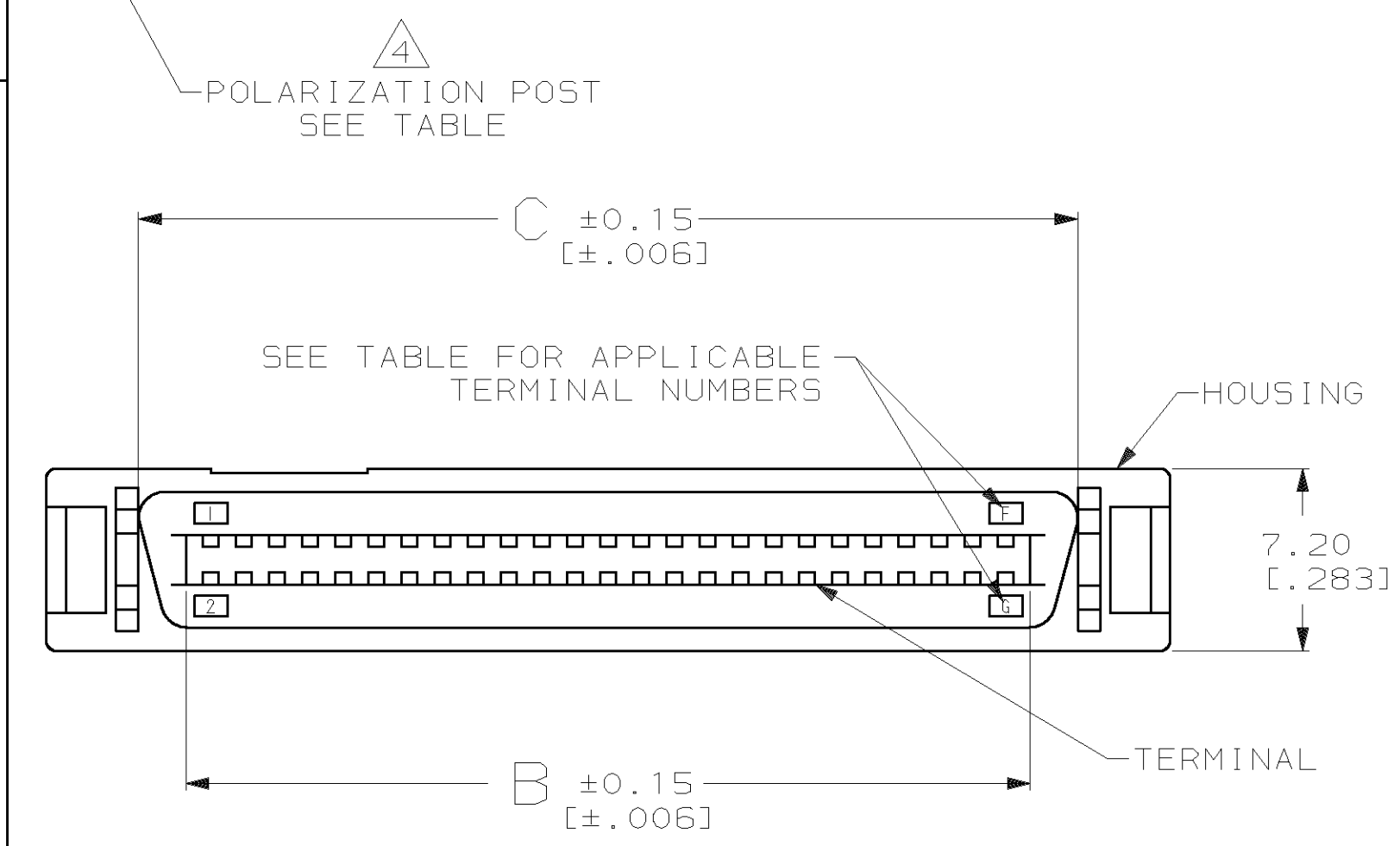
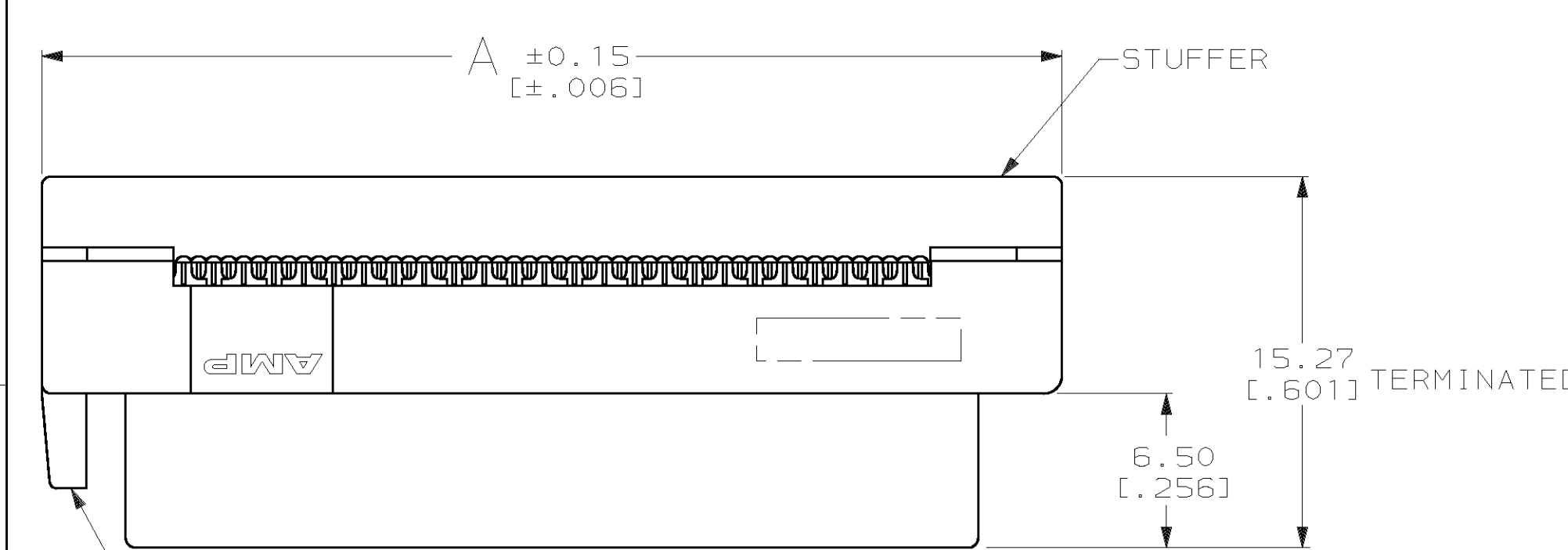
	① ⑧	YES	68	67	43.61 [1.717]	47.45 [1.868]	43.81 [1.725]	54.53 [2.147]	68	① 1-557089-7
	① ⑦	YES	40	39	25.70 [1.012]	29.67 [1.168]	26.03 [1.025]	36.75 [1.447]	40	⑥ 1-557089-6
	① ⑦	YES	100	99	63.93 [2.517]	67.77 [2.668]	64.13 [2.525]	74.85 [2.947]	100	⑥ 1-557089-5
	① ⑦	YES	60	59	38.53 [1.517]	42.37 [1.668]	38.73 [1.525]	49.45 [1.947]	60	⑥ 1-557089-4
	① ⑦	YES	80	79	51.23 [2.017]	55.07 [2.168]	51.43 [2.025]	62.15 [2.447]	80	⑥ 1-557089-3
	① ⑦	YES	68	67	43.61 [1.717]	47.45 [1.868]	43.81 [1.725]	54.53 [2.147]	68	⑥ 1-557089-2
	① ⑦	YES	50	49	32.18 [1.267]	36.02 [1.418]	32.38 [1.275]	43.10 [1.697]	50	⑥ 1-557089-1
SUPERSEDED BY 1-557089-3	① ⑦	NO	-	-	51.23 [2.017]	55.07 [2.168]	51.43 [2.025]	62.15 [2.447]	80	557089-7
SUPERSEDED BY 1-557089-2	① ⑦	NO	-	-	43.61 [1.717]	47.45 [1.868]	43.81 [1.725]	54.53 [2.147]	68	557089-6
SUPERSEDED BY 1-557089-1	① ⑦	NO	-	-	32.18 [1.267]	36.02 [1.418]	32.38 [1.275]	43.10 [1.697]	50	557089-4

NOTES	POLARIZATION POST	G	F	D	C	B	A	NO OF POSN	PART NUMBER
-------	-------------------	---	---	---	---	---	---	------------	-------------

DO NOT SCALE PRINT. UNLESS SPECIFIED DIMENSIONS IN mm [INCHES] TOLERANCES ON : 2 PLC DEC ± - 3 PLC DEC ± - ANGLES ± 1°	DR 04/20/90 R.NELSON CHK 04/03/91 N.JONES APPD 04/03/91 R.NELSON APPD 04/10/91 E.MARSH	 AMP Incorporated Harrisburg, PA 17105-3608
MATERIAL SEE TABLE	PRODUCT SPEC 108-1514	
FINISH SEE TABLE	APPLICATION SPEC 114-6064	SIZE C 00779
	WEIGHT	DRAWING NO 557089
		SCALE 4:1
		SHEET 1 OF 2

THIS DRAWING IS UNPUBLISHED. RELEASED FOR PUBLICATION ,19 .
 © COPYRIGHT 19 BY AMP INCORPORATED. ALL INTERNATIONAL RIGHTS RESERVED.

LOC	DIST	P	F	ZONE	LTR	DESCRIPTION	DATE	APPD
DW	00					SEE SHEET 1	-	-



DO NOT SCALE PRINT. UNLESS SPECIFIED DIMENSIONS IN mm [INCHES] TOLERANCES ON : 2 PLC DEC ± - 3 PLC DEC ± - ANGLES ± 1°	DR 04/20/90 R. NELSON	AMP Incorporated Harrisburg, PA 17105-3608
	CHK 04/03/91 N. JONES	
MATERIAL SEE SHEET 1	APPD 04/03/91 R. NELSON	NAME
	APPD 04/10/91 E. MARSH	RECEPTACLE ASSEMBLY, RIBBON CABLE, .025¢, CHAMP™ .050, SERIES I
FINISH SEE SHEET 1	APPLICATION SPEC	SIZE C 00779
WEIGHT		DRAWING NO 557089
		SCALE 4:1
		SHEET 2 OF 2